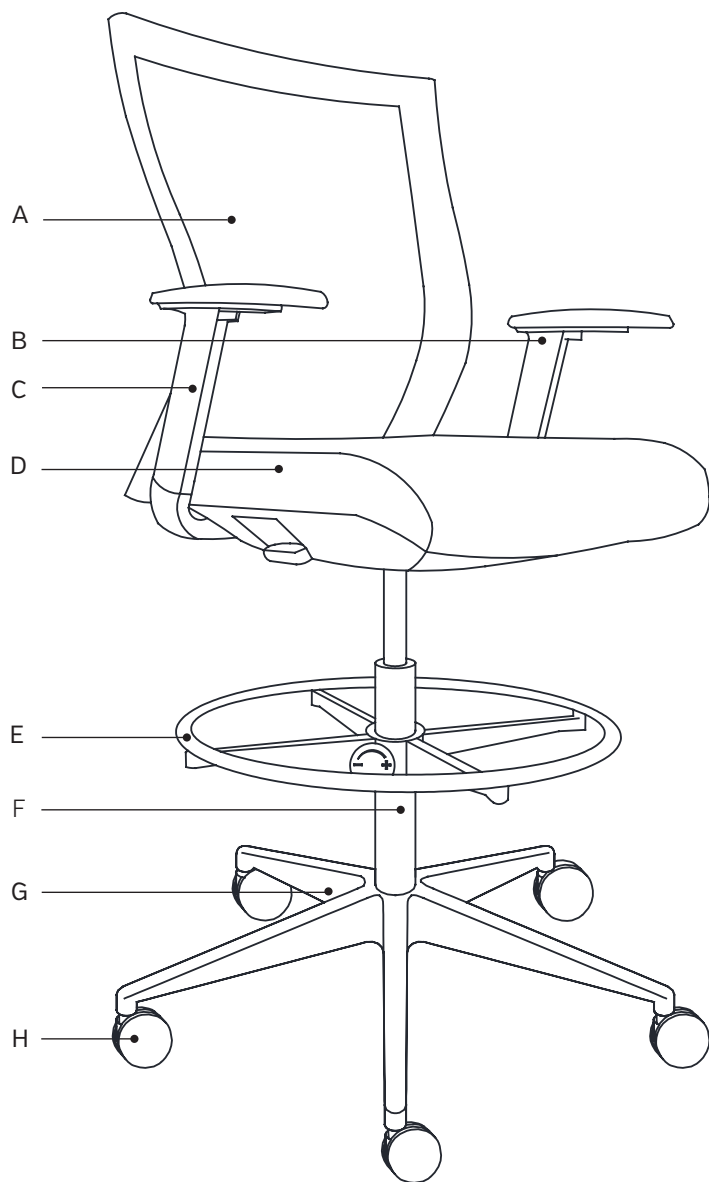


idesk

Assembly Instructions

405 OROBLANCO HI-TASK



Item		Part Name	Part#	Qty
A		Back Frame [B/W]	G00244/G00265	1
B		Left Arm [B/W]	G00246/G00267	1
C		Right Arm [B/W]	G00247/G00268	1
D		Seat Pan [B/W]	G00245/G00266	1
E		Foot Rest	G00248	1
F		Gas Cylinder	G00249	1
G		Base	G00250	1
H		Caster	G00251	5
J		Long Screw	G00240	6
K		Screw	G00253	3
L		Hex Wrench	G00207	1
M		Flat Washer	G00242	3
N		Spring Washer	G00243	3

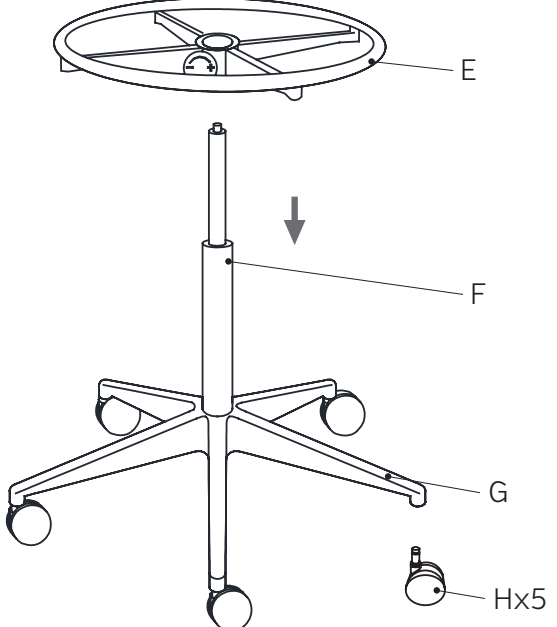
Warning

1. Product is for single person use only.
2. Do not use this chair unless all bolts and knobs are securely tightened.
3. Check that all bolts and knobs are tightened every six months or as needed.
4. Dispose of packing material properly. Do not use plastic cover as a head covering. Suffocation may result.
5. Do not use this chair as a stepladder.

For assistance, call [888] 471-1616, or www.youtube.com/user/ideskinc1

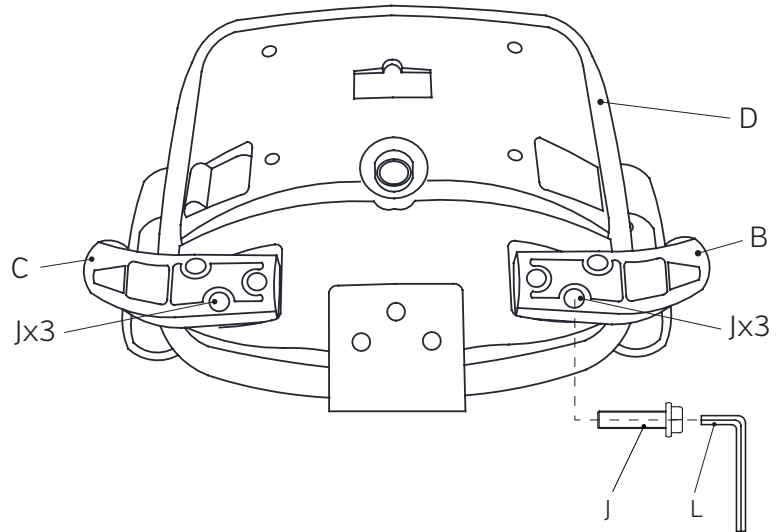
1

Assemble base, cylinder, casters and foot-rest together as shown.



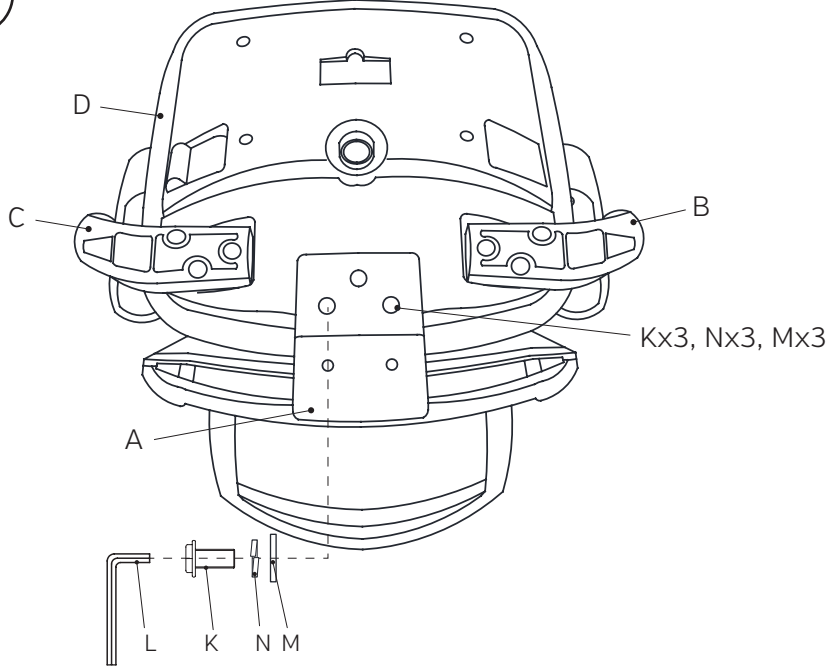
2

Assemble arm rests.



3

Assemble seat pan & back frame.



4

Assemble seat and base together.

