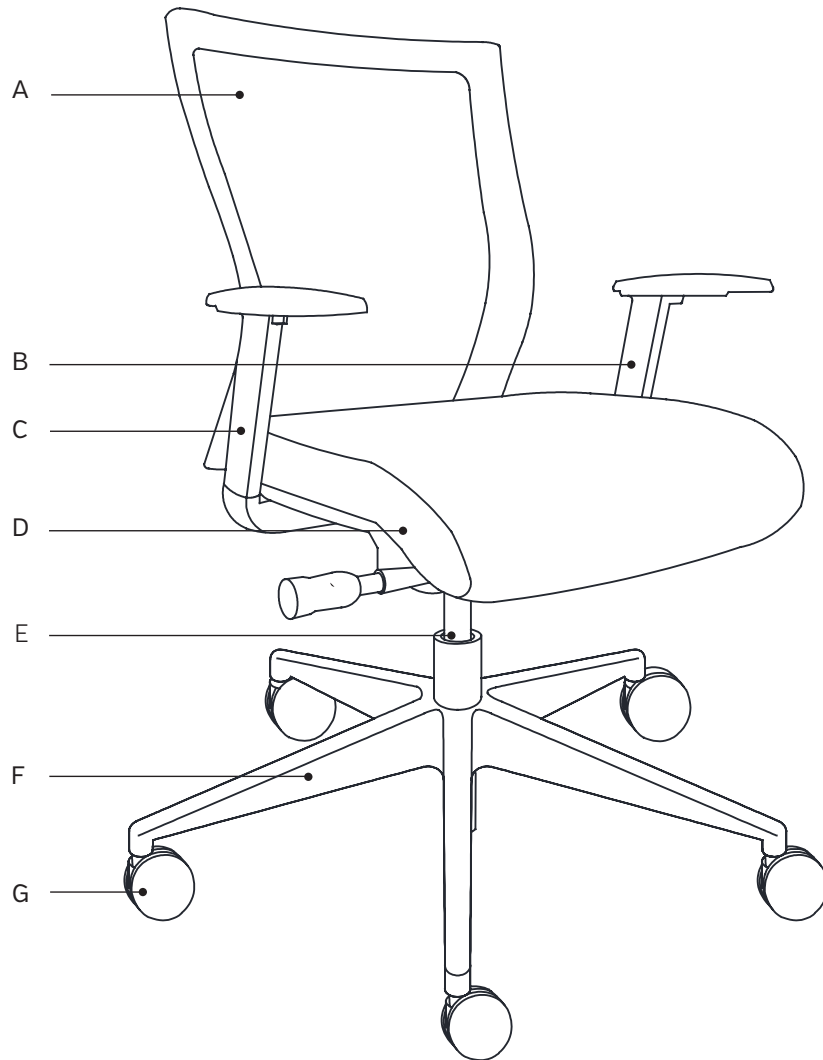


idesk

Assembly Instructions

404 OROBLANCO MID-BACK



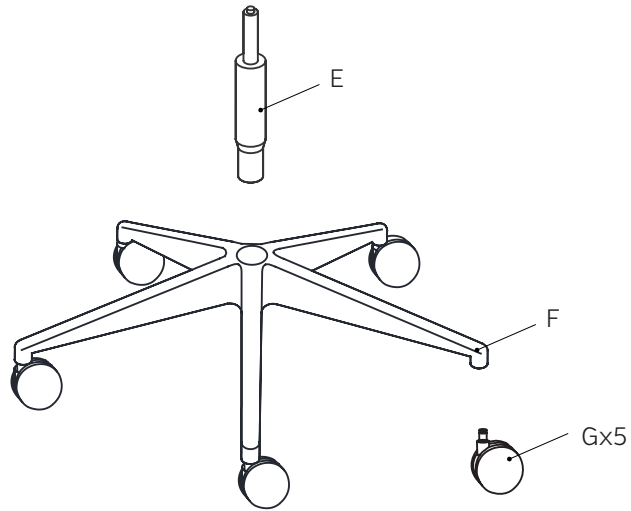
| Item | | Part Name | Part# | Qty |
|------|--|------------------|---------------|-----|
| A | | Back Frame [B/W] | G00232/G00261 | 1 |
| B | | Left Arm [B/W] | G00233/G00263 | 1 |
| C | | Right Arm [B/W] | G00234/G00264 | 1 |
| D | | Seat Pan [B/W] | G00235/G00262 | 1 |
| E | | Gas Cylinder | G00236 | 1 |
| F | | Base [B/W] | G00237/G00269 | 1 |
| G | | Caster | G00238 | 5 |
| H | | Screw | G00239 | 3 |
| I | | Long Screw | G00240 | 6 |
| J | | Hex Wrench | G00207 | 1 |
| K | | Flat Washer | G00242 | 3 |
| L | | Spring Washer | G00243 | 3 |

Warning

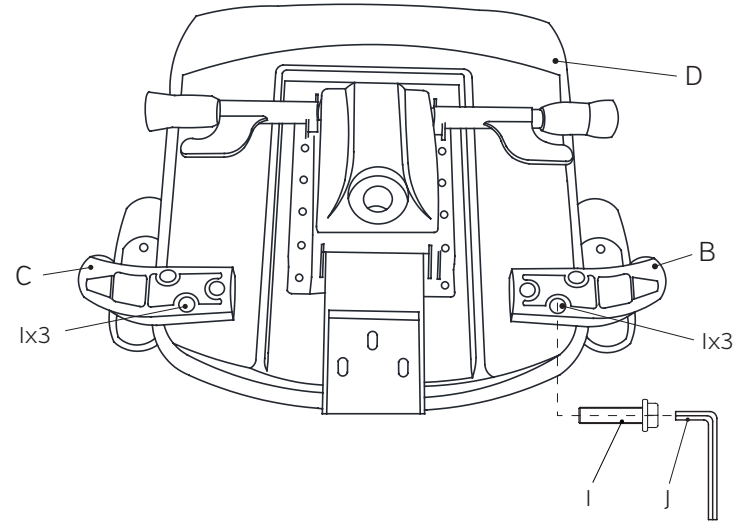
1. Product is for single person use only.
2. Do not use this chair unless all bolts and knobs are securely tightened.
3. Check that all bolts and knobs are tightened every six months or as needed.
4. Dispose of packing material properly. Do not use plastic cover as a head covering. Suffocation may result.
5. Do not use this chair as a stepladder.

For assistance, call [888] 471-1616, or www.youtube.com/user/ideskinc1

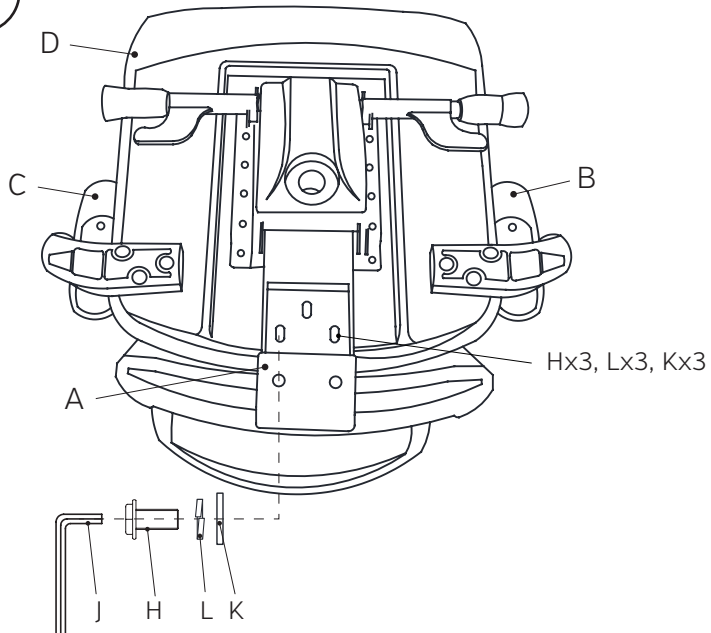
1 Assemble base, cylinder and casters together.



2 Assemble arm rests.



3 Assemble seat pan & back frame.



4 Assemble seat and base together.

