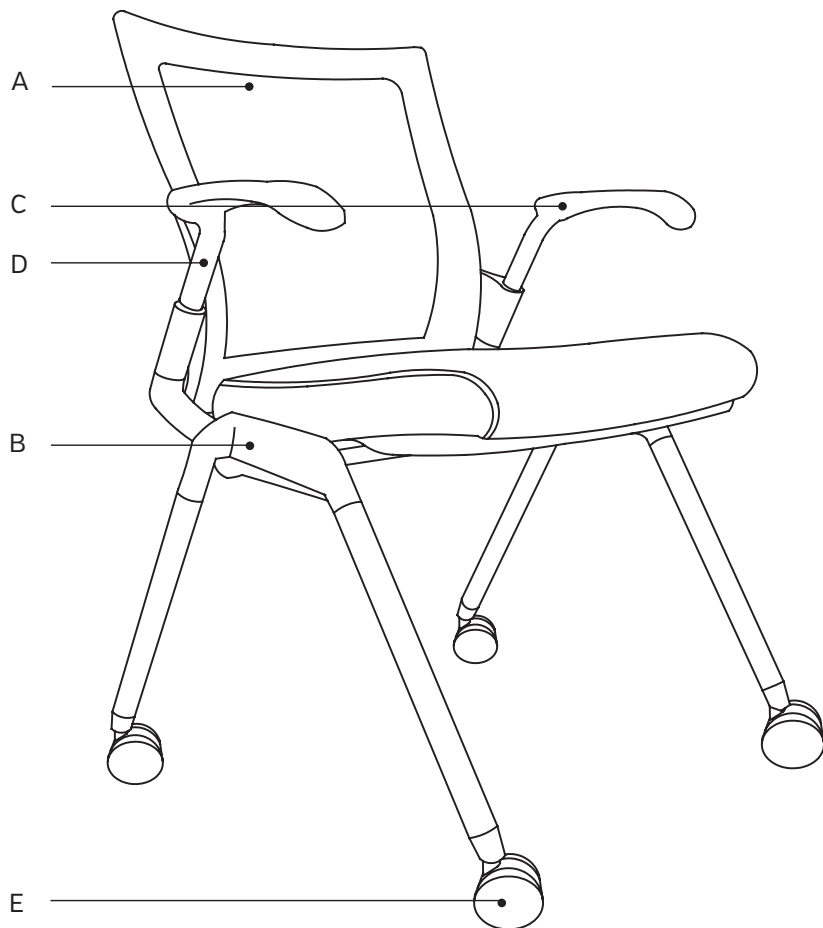









idesk

Assembly Instructions

406 OROBLANCO TRAINING



Item	Part Name	Part#	Qty
A	 Back Frame [B/W]	G00225/G00257	1
B	 Seat [B/W]	G00226/G00258	1
C	 Left Arm [B/W]	G00227/G00259	1
D	 Right Arm [B/W]	G00228/G00260	1
E	 Caster	G00229	4
F	 Hex Wrench [M4]	G00206	1
G	 Plug, polished [spare for armless chair; see step 3B]	G00231	2

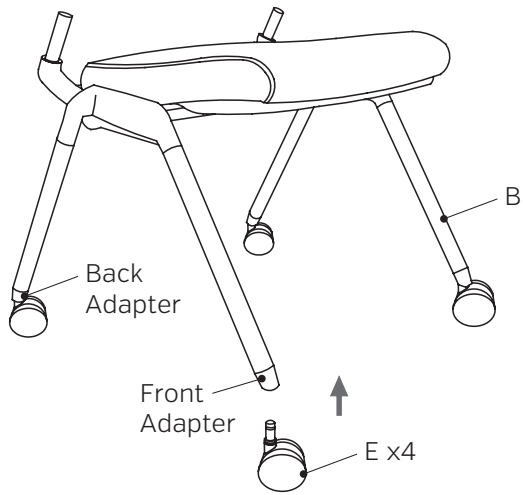
Warning

1. Product is for single person use only.
2. Do not use this chair unless all bolts and knobs are securely tightened.
3. Check that all bolts and knobs are tightened every six months or as needed.
4. Dispose of packing material properly. Do not use plastic cover as a head covering. Suffocation may result.
5. Do not use this chair as a stepladder.

For assistance, call [888] 471-1616, or www.youtube.com/user/ideskinc1

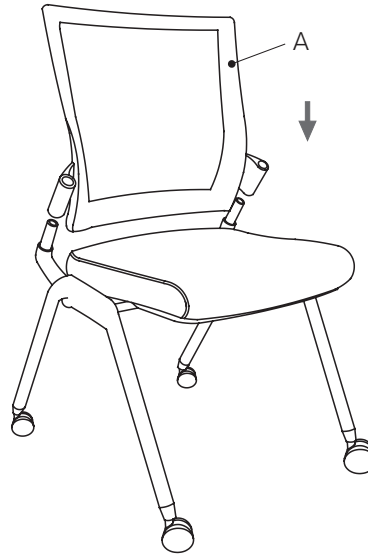
1

Install casters.



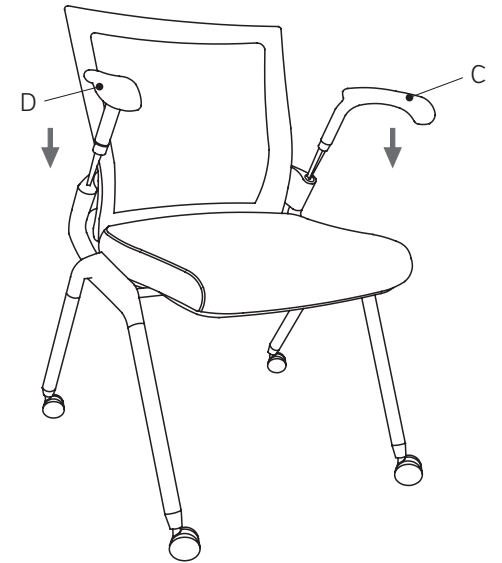
2

Install seat back.



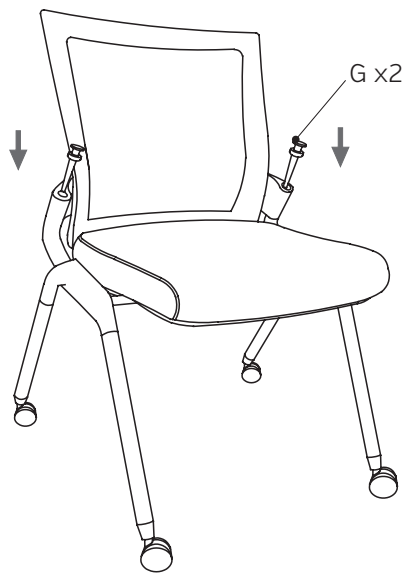
3A

Arm Training chair installation



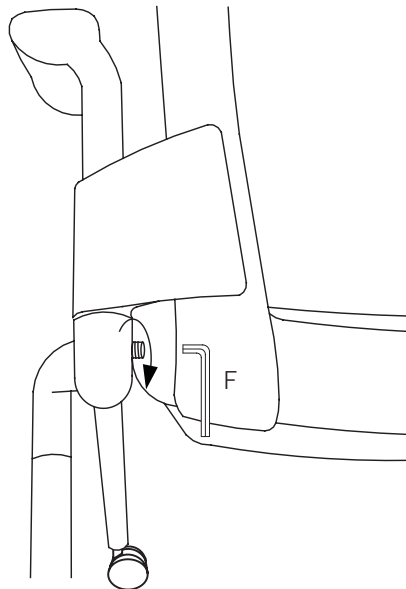
3B

Armless Training chair installation



4

Tighten the screws



5

