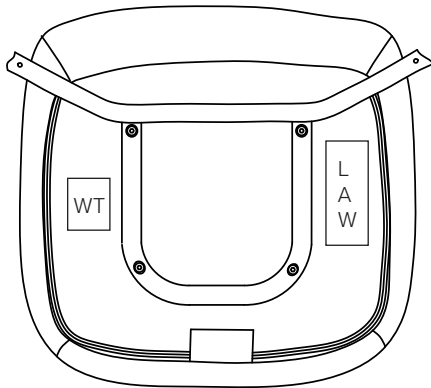
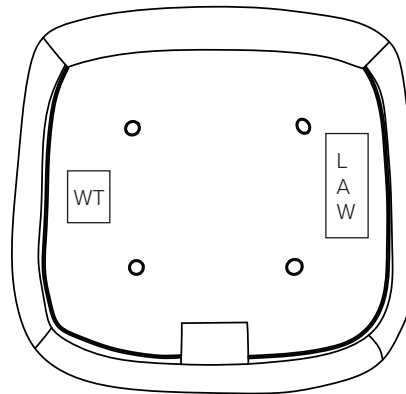


idesk

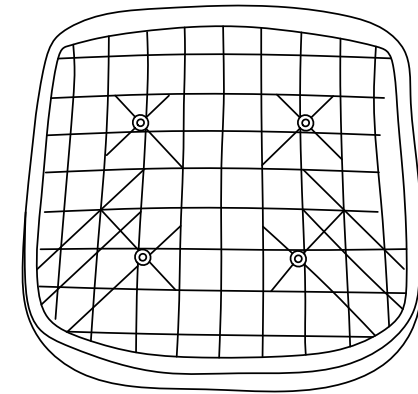
Assembly Instructions Slip Cover
403B/403W OROBLANCO



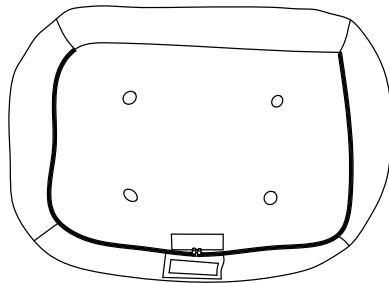
1) Remove seat from chair frame using 4mm hex wrench



2) **Remove the law label and weight capacity label and put to the side.** Unzip and the old slip cover and remove



3) Install new slip cover. Make sure all 4 slip cover corners match the foam corners, top and bottom holes on bottom of slip cover match to holes on the seat pan



4) Re-attach the seat pan to the slip cover using the four screws from step 1. **Re-apply the law label and weight capacity label. Make sure labels are pressed down hard to ensure attachment**