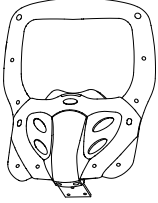


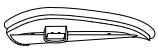
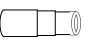








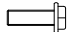


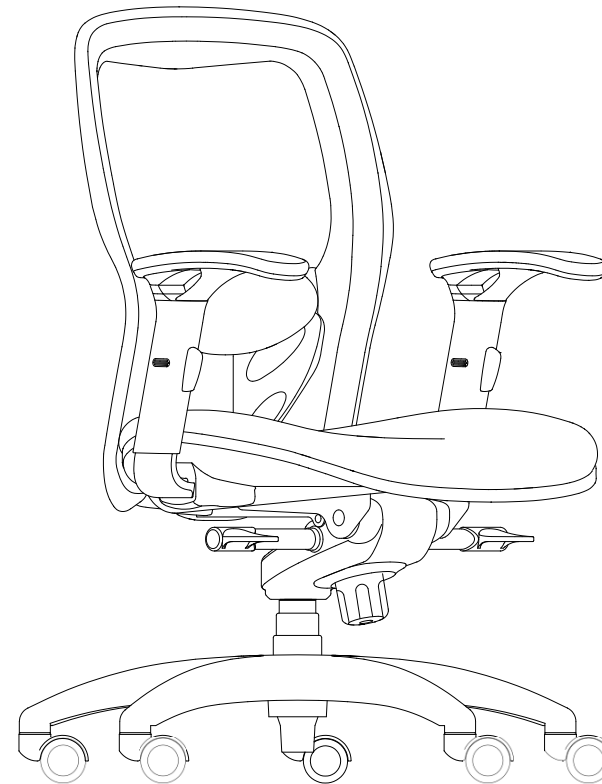
Assembly Steps 205M- Respond 2.1

Package Contents

		Qty	Part
		1x	2016
2002L 1x		1x	2003R
		1x	2004
		1x	2005
		1x	2006
		1x	2007
		1x	2008
		5x	2009
		5x	2010
		3x	2011
		2x	2012
		1x	2013
		3x+1	2014
		4x+1	2015

Warning £°

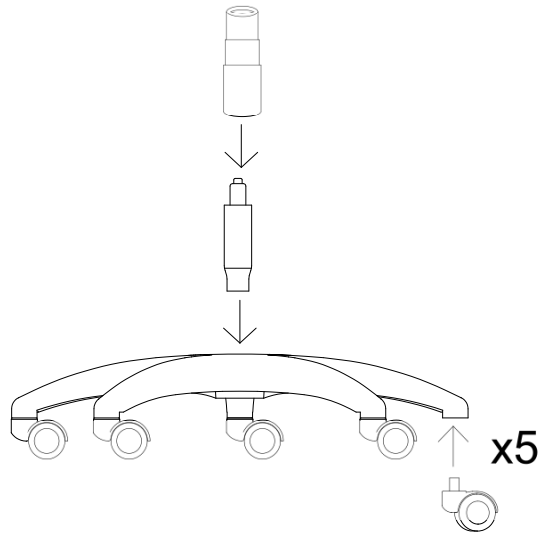
1. Product is for single person use only.
2. Do not use this chair unless all bolts and knobs are securely tightened.
3. Check that all bolts and knobs are tightened every six months or as needed.
4. Dispose of packing material properly, DO NOT use plastic cover as a head covering. Suffocation may result.
5. Do not use this chair as a stepladder.



Call for parts or assistance: 1-888-471-1616

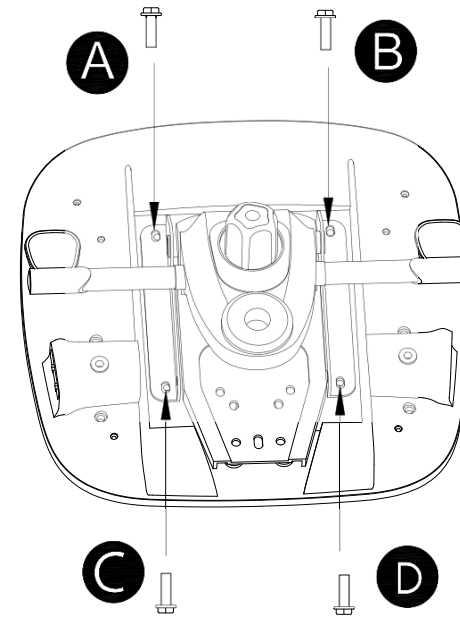
CHERRYMAN

1

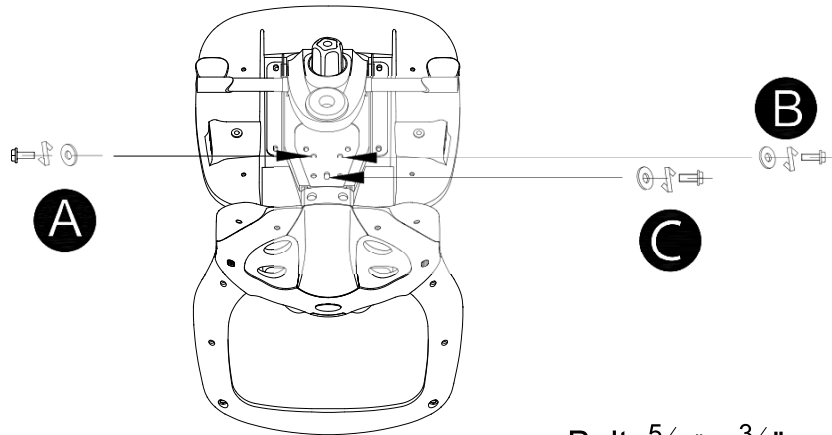


2

Bolt $\frac{5}{16}$ " x 1"
4x positions



3



Bolt $\frac{5}{16}$ " x $\frac{3}{4}$ "
3x positions

4

