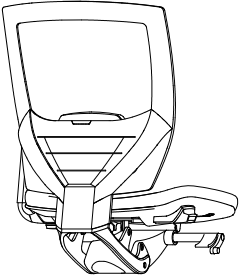
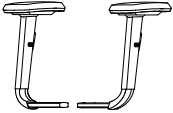


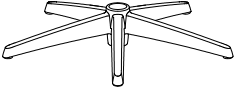



Package Contents

			Qty	Part
			1x	2033
1x	2027L		1x	2028R
			2x	2029
			1x	2030
			1x	2031
			5x	2032

Warning[°]

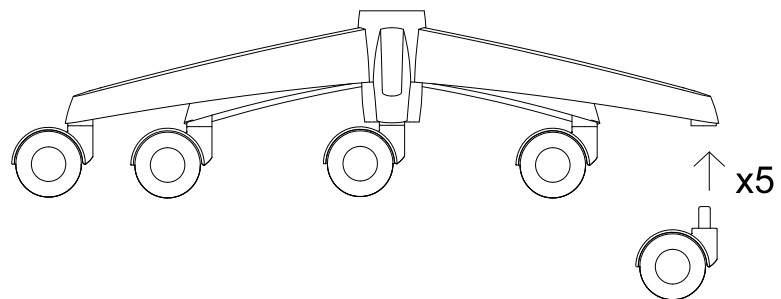
1. Product is for single person use only.
2. Do not use this chair unless all bolts and knobs are securely tightened.
3. Check that all bolts and knobs are tightened every six months or as needed.
4. Dispose of packing material properly, DO NOT use plastic cover as a head covering. Suffocation may result .
5. Do not use this chair as a stepladder.



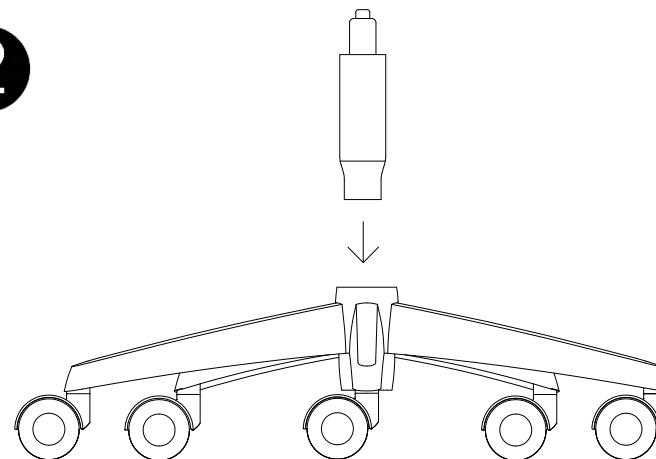
Call for parts or assistance: 1-888-471-1616

CERRYMAN

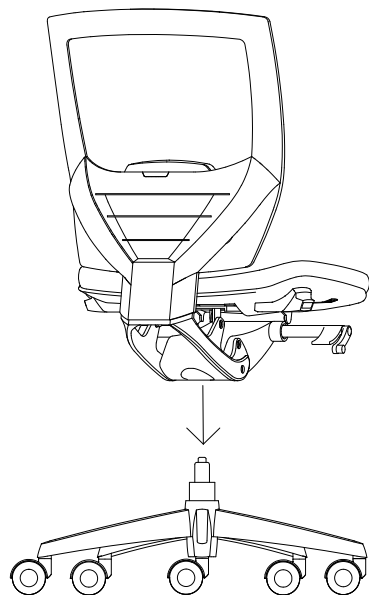
1



2



3



4

