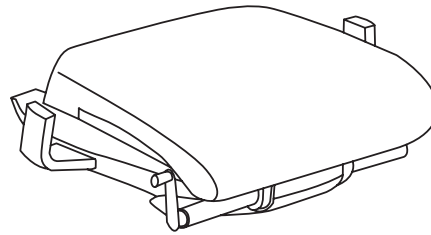


idesk

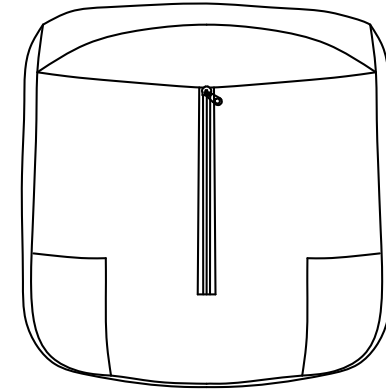
Assembly Instructions Slip Cover
402B/402W OROBLANCO



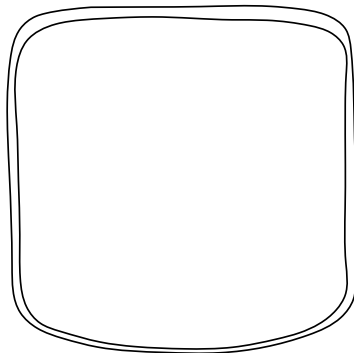
1) Assemble chair



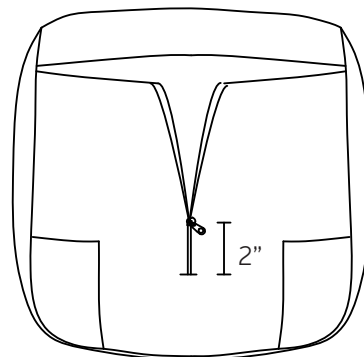
2) Remove old slip cover and foam from seat pan by unfastening the velcro fasteners on the back and front of seat. Remove the back fasteners first



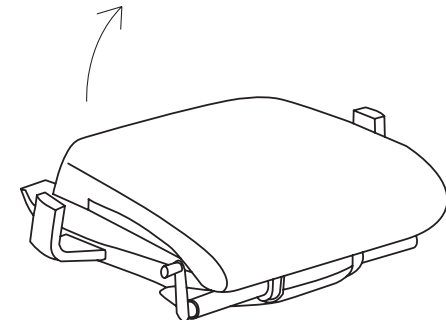
3) Unzip old slip cover and remove from foam



4) Install new slip cover onto the foam



5) Make sure all four slip cover corners match to the foam corners, top & bottom. Close zipper approximately 2"



6) Align 2 front corners and install using velcro fasteners. Lift back of seat and zip up slip cover. Align 2 back corners and install using velcro fasteners