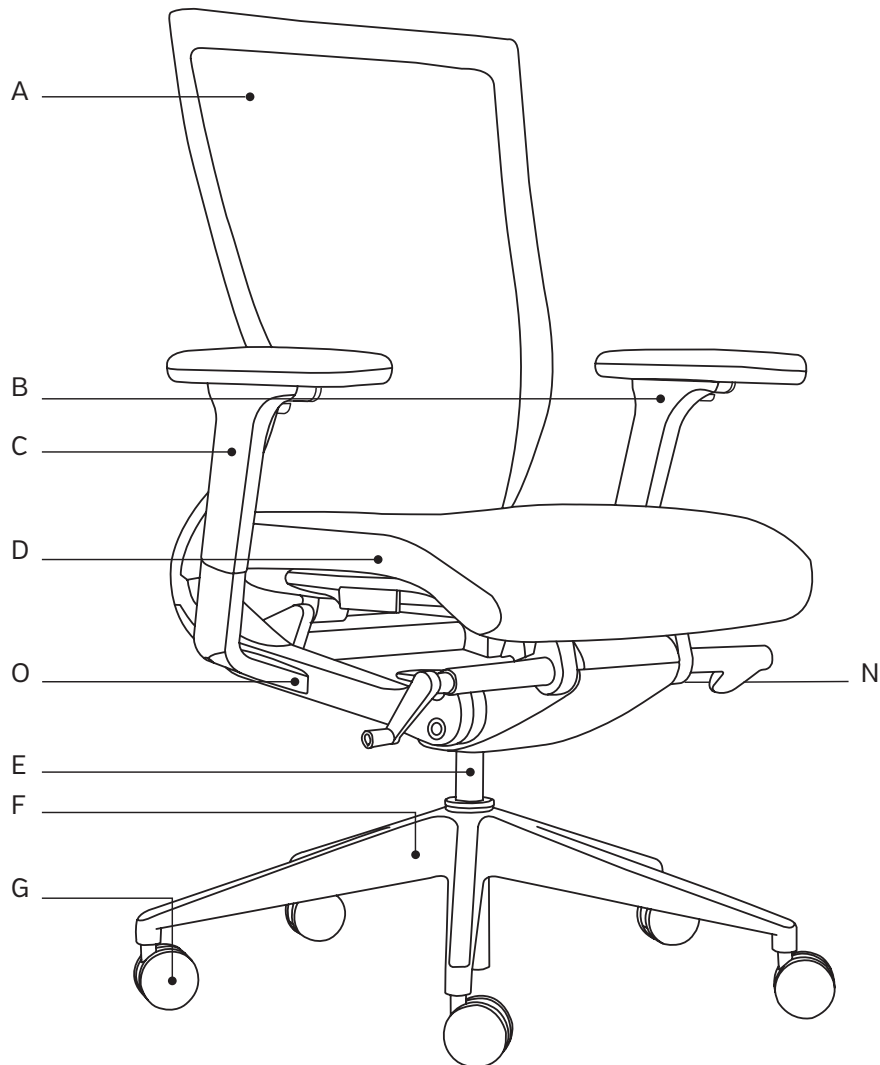
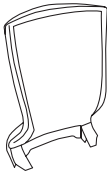






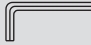



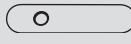

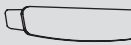


# CHERRYMAN

## Assembly Instructions 402B/402W OROBLANCO



Item		Part Name	Part #	Qty
A		Back Frame	G00021/G00038	1
B		Left Arm	G00059/G00060	1
C		Right Arm	G00061/G00062	1
D		Seat Pan	G00063/G00064	1
E		Gas Cylinder	G00025	1
F		Base	G00026	1
G		Caster	G00008	5
H		Hex Wrench	G00028	1
J		Short Bolt	G00030	4
K		Long Bolt	G00065	2
L	 *	Pivot Lock Bracket	G00067	2
M	 *	Slide Lock Bracket	G00068	2
N	 *	Left Arm Cap	G00069/G00071	1
O	 *	Right Arm Cap	G00070/G00072	1

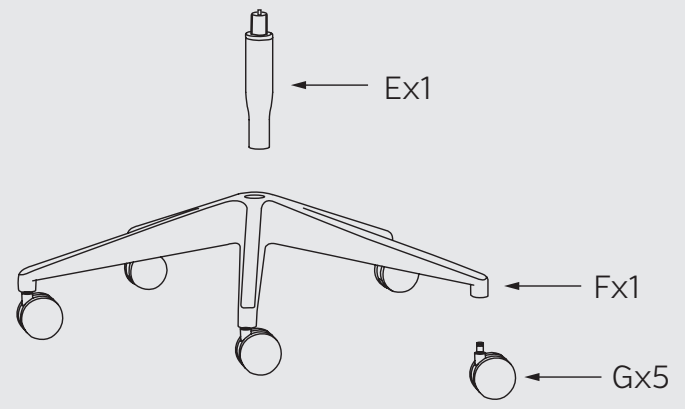
### Warning

1. Product is for single person use only.
2. Do not use this chair unless all bolts and knobs are securely tightened.
3. Check that all bolts and knobs are tightened every six months or as needed.
4. Dispose of packing material properly. Do not use plastic cover as a head covering. Suffocation may result.
5. Do not use this chair as a stepladder.

\* Arm Pad Lock Kit [L & M] & Arm Cap Kit [N, & O] are included.

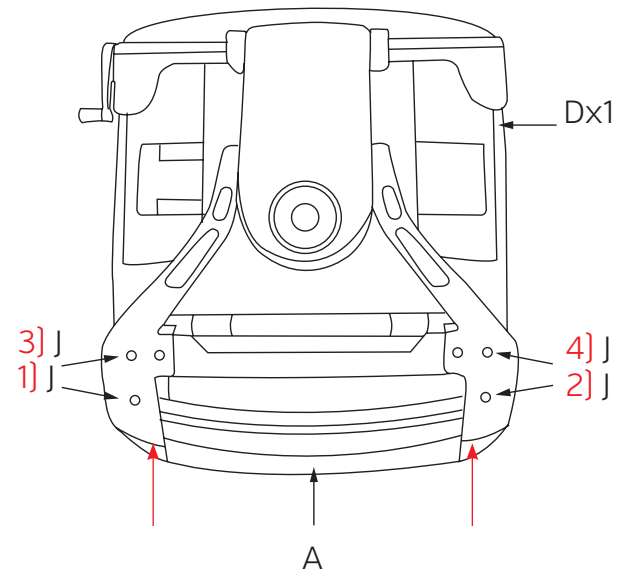
For assistance, call [888] 471-1616, or visit [www.cherrymanindustries.com](http://www.cherrymanindustries.com)

1



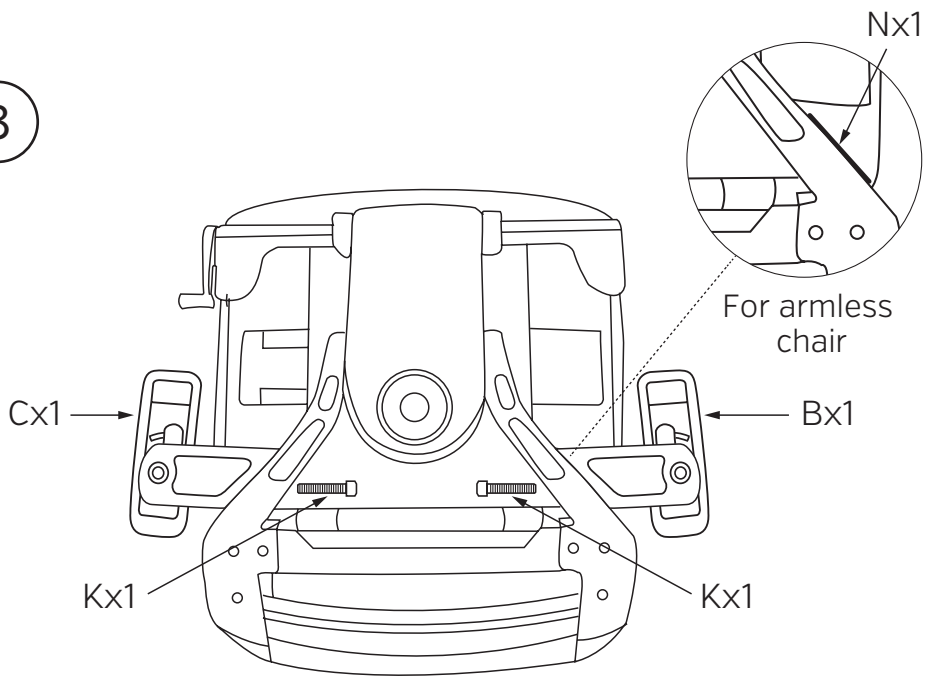
2

Install items in order of red numbers



Align Back Frame mounting holes on both sides

3



4

