

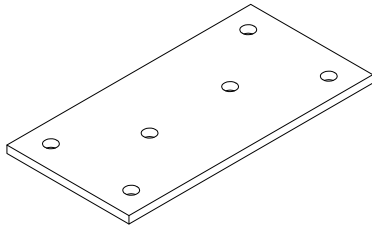
AMBER

Assembly Instructions

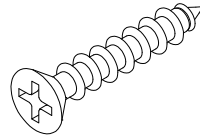
CHERRYMAN

A425 Common Top | Storage Laterals 2F or 2D

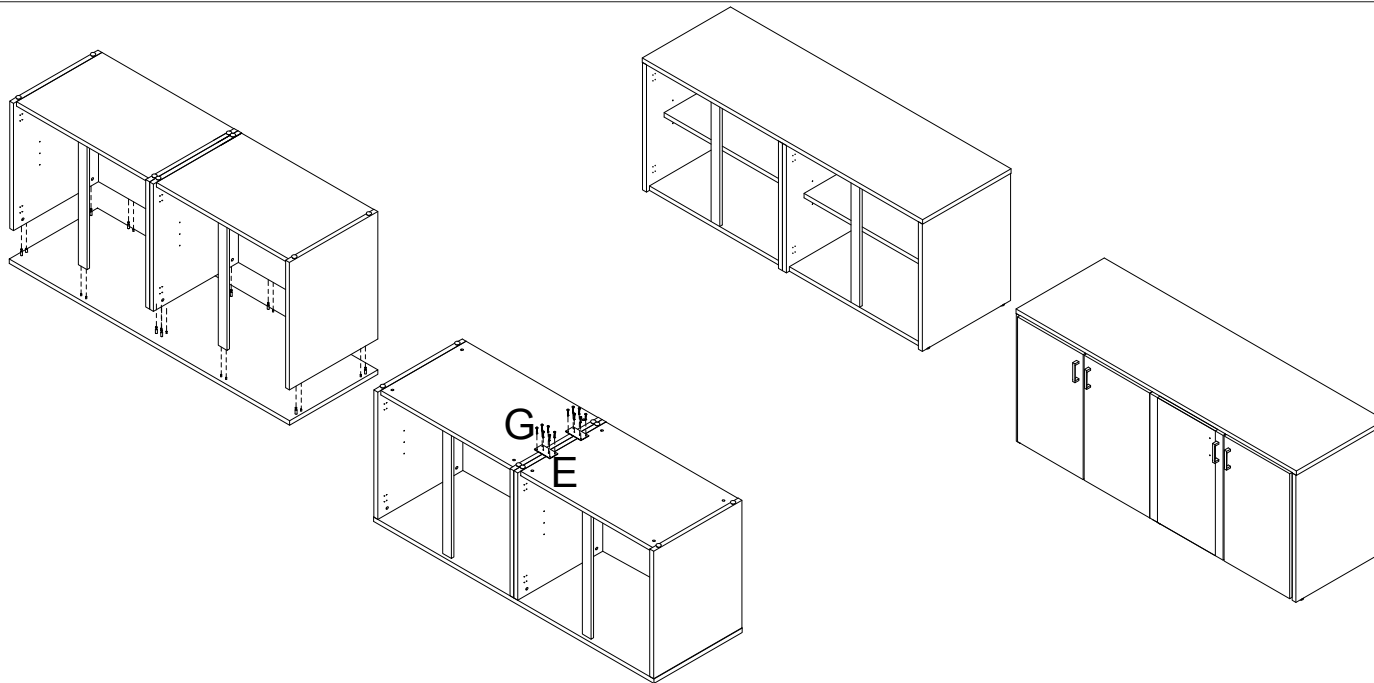
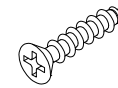
Ⓔ 100*50*3 2(PCS)



⒱ Ø4×30 4(PCS)



Ⓒ Ø3.5×16 16(PCS)

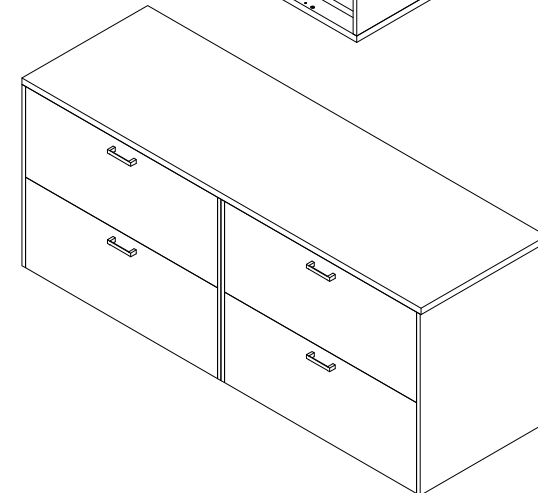
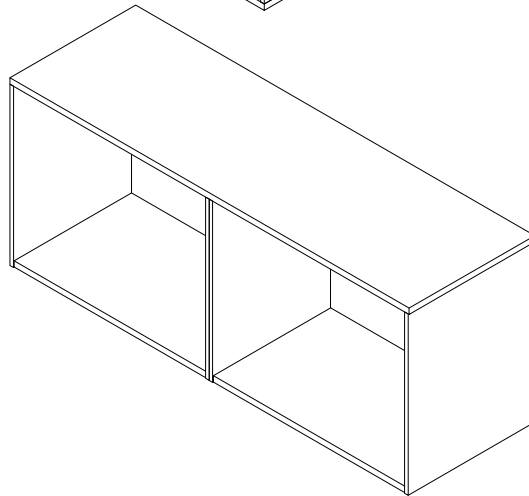
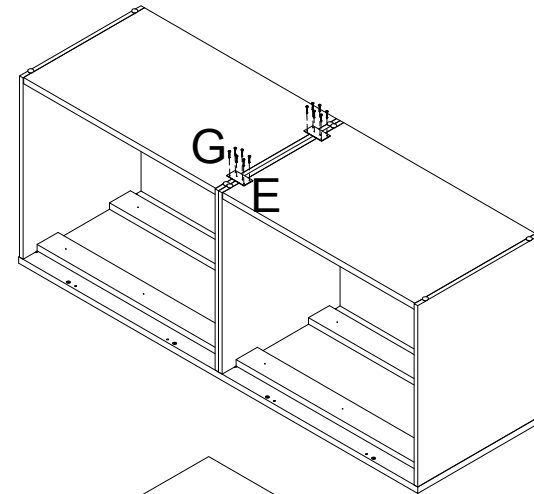
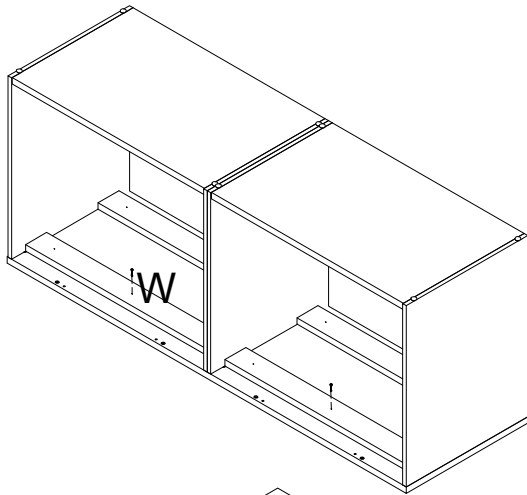


AMBER

Assembly Instructions

CHERRYMAN

A425 Common Top | Storage Laterals 2F or 2D



AMBER

Assembly Instructions

CHERRYMAN

A425 Common Top | Storage Laterals 2F or 2D

