

# AMBER

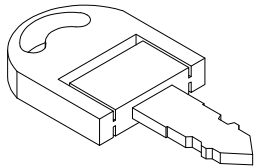
## Assembly Instructions

CHERRYMAN

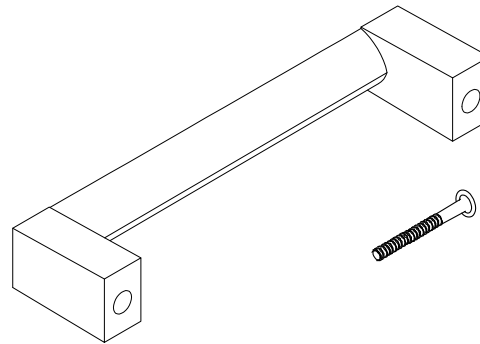
A838 Storage 1B1F Suspended Ped

A839 Storage 1B1F Suspended Ped

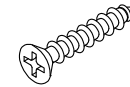
Ⓢ 2(PCS)



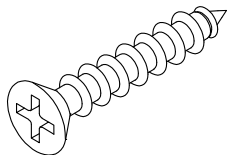
Ⓣ 96MM 2(PCS)



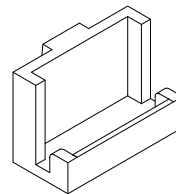
ⓖ Ø3.5×16 8(PCS)



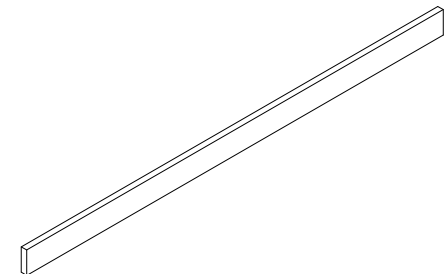
Ⓦ Ø4×30 10(PCS)



Ⓩ 2(PCS)



ⓐ1 302MM 1(PCS)



# AMBER

## Assembly Instructions

CHERRYMAN

A838 Storage 1B1F Suspended Ped

A839 Storage 1B1F Suspended Ped

