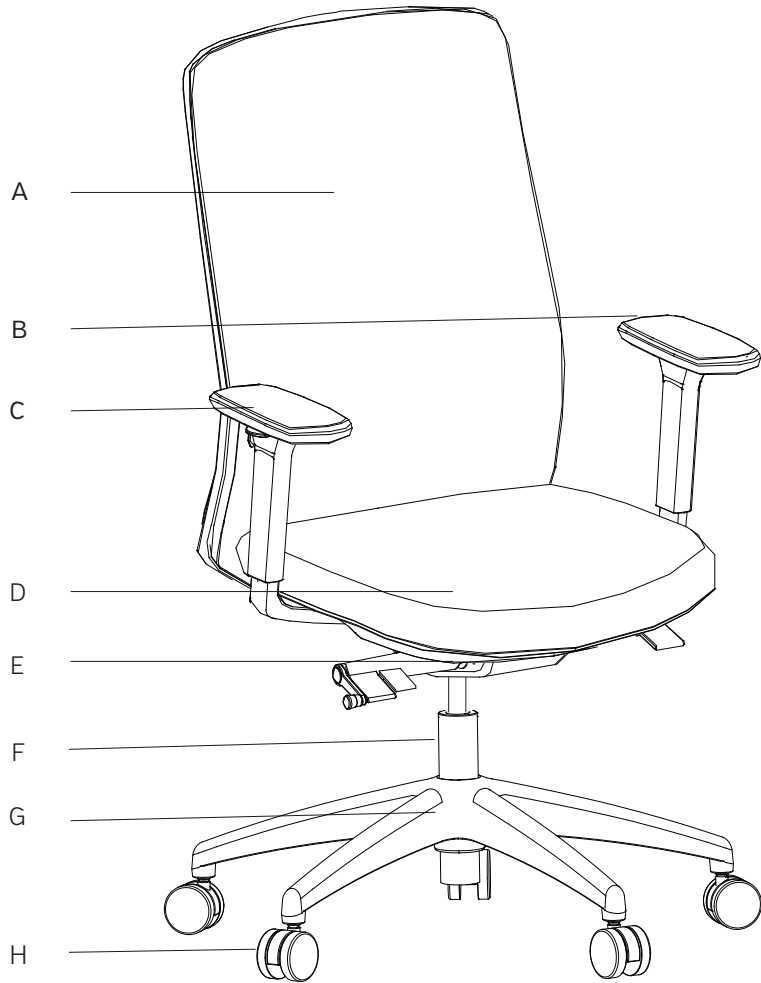


Assembly Instructions
ZET106 task chair



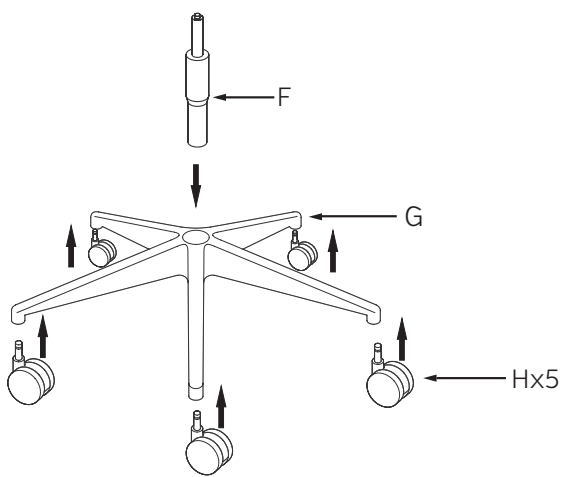
Item	Part Name	Part #	Qty
A	Back Frame Black/White	G00352/G00353	1
B	Left Arm Black/White	G00354/G00355	1
C	Right Arm Black/White	G00356/G00357	1
D	Seat Frame Black/White	G00358/G00359	1
E	Seat Mechanism	G00360	1
F	Gas Cylinder	G00340	1
G	Base Black/White	G00341/G00351	1
H	Caster	G00342	5
I	Medium M6x25	G00336	4
J	Long Bolt M6x35	G00337	6
K	Short Bolt M8x20	G00361	3
L	Lock Washer M8	G00362	3
M	Flat Washer M8	G00363	3
N	Hex Wrench 5mm	G00339	1

Warning

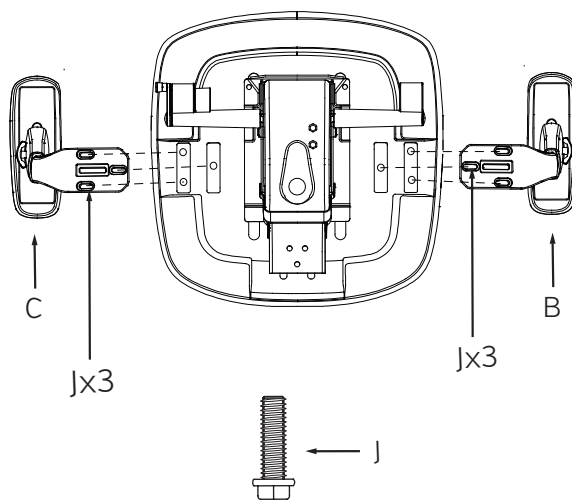
1. This product is for single person use only.
2. Do not use this chair unless all screws are securely tightened.
3. Check that all screws are tightened every six months or as needed.
4. Dispose of all packing materials properly. Do not place the plastic cover over the head as suffocation may occur.
5. Do not use this chair as a stepladder.

For assistance, call (888) 471-1616 or visit www.cherrymanindustries.com

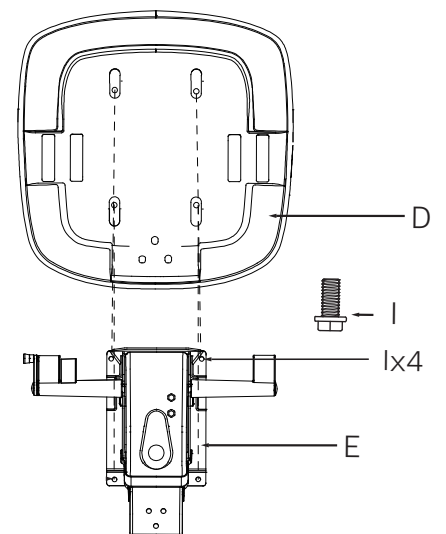
1 Base Assembly
Firmly snap Casters (H) into Base (G). Place base on ground with casters attached. Drop Gas Cylinder (F) into base with narrow end pointing up.



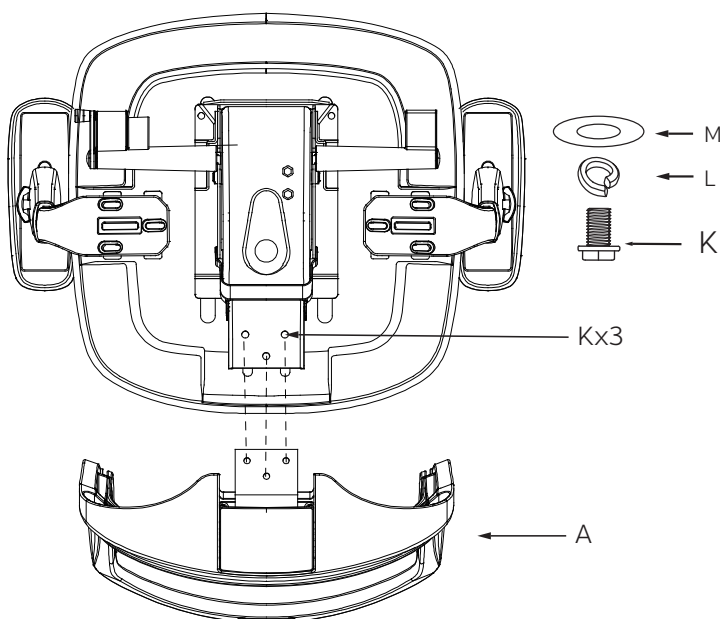
2 Arm Assembly
Using Long Bolts (J) screw the Arm (B,C) to the underside of the Seat Frame (D).



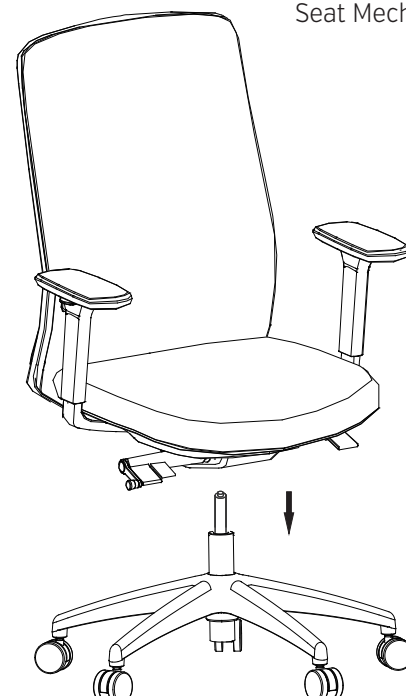
3 Seat Mechanism Assembly
Using Medium Bolts (I) screw the Seat Mechanism (E) to the underside of the Seat Frame (D).



4 Seat /Back Assembly
Carefully align the Back Frame (A) to Seat Mechanism (E). Tighten Back Frame to the Seat Mechanism using Short Bolt (K), Lock Washer (L) and Flat Washer (M).



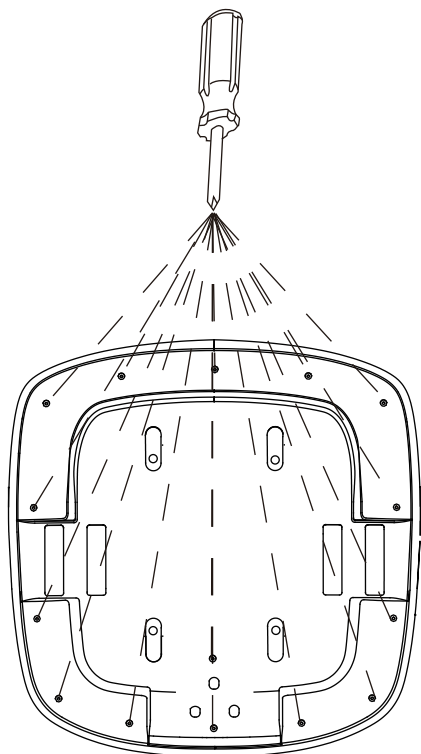
5 Final Assembly
With the Base on the ground, carefully align the Gas Cylinder with the hole in the center of the underside of the Seat Mechanism, applying pressure.



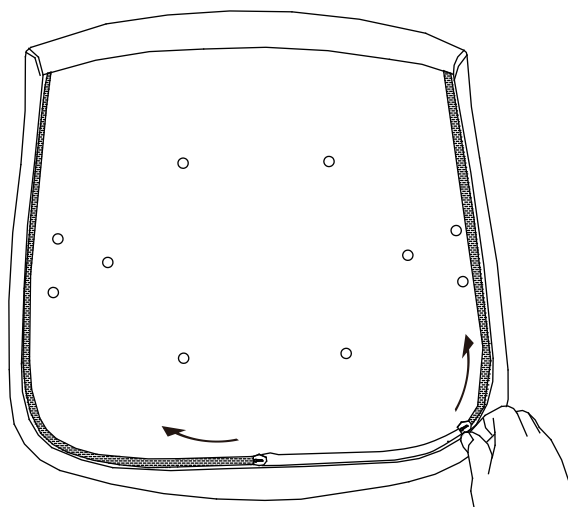
Slip Cover Assembly Instructions [Optional]

ZET106 task chair

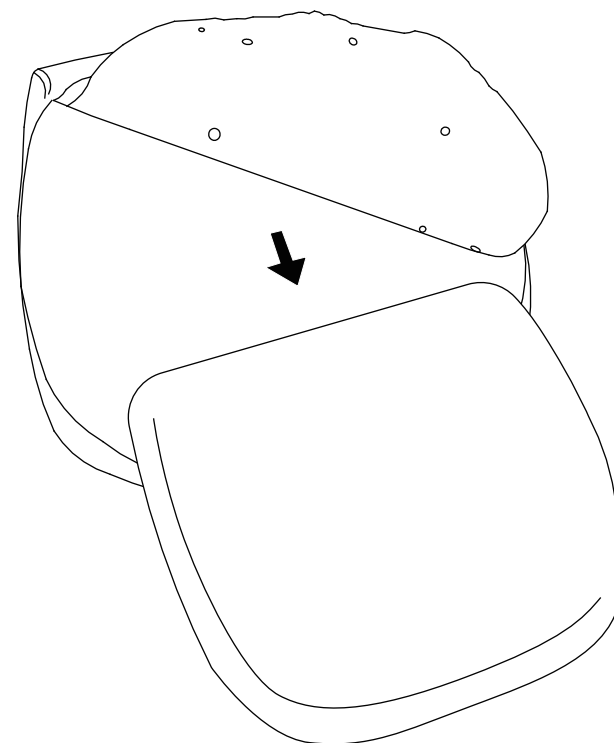
1 Uninstall the seat shell by removing the screws with a philips screwdriver.



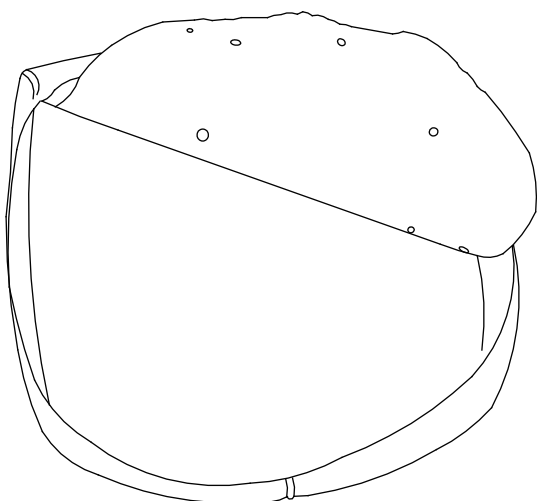
2 Unzip the seat cover.



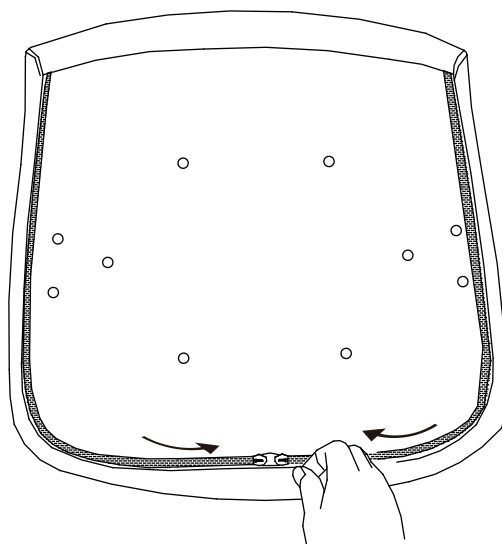
3 Remove the cushion.



4 Put the cushion in the new seat cover.



5 Align the new cover with the holes and zip up the new seat cover.



6 Install the seat shell by installing the screws with a philips screwdriver.

