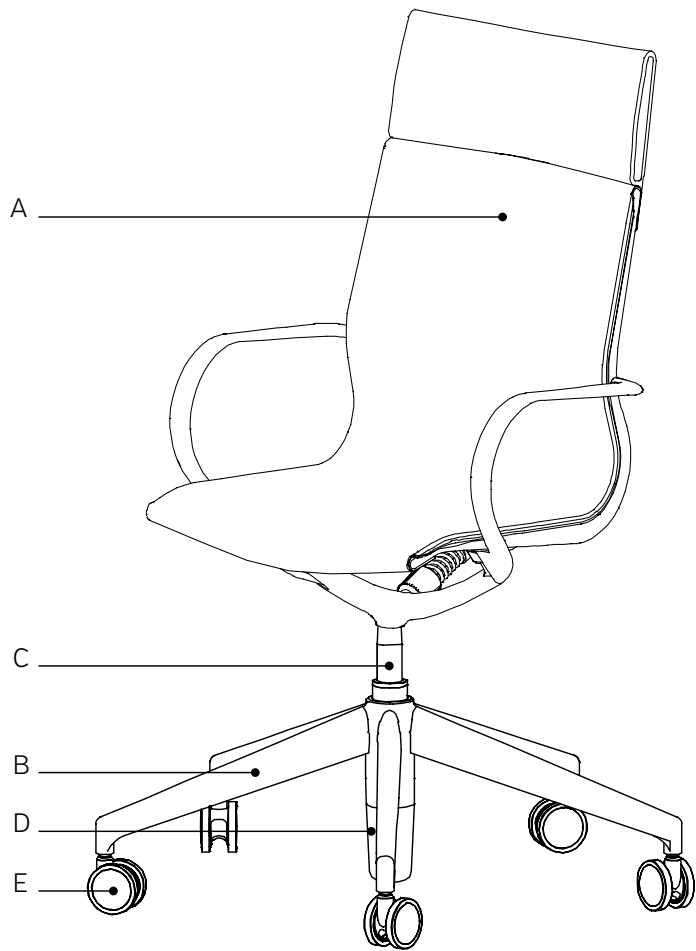


idesk

Assembly Instructions CURVA TASK



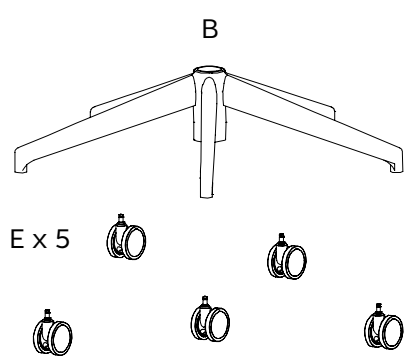
Item		Part Name	Part #	Qty
A		Alu. High Back Shell Leather	G00139	1
A		Alu. High Back Shell Leather Armless	G00140	1
A		Alu. High Back Shell Mesh	G00141	1
A		Alu. High Back Shell Mesh Armless	G00142	1
A		Nylon High Back Shell Mesh	G00143	1
A		Nylon High Back Shell Mesh Armless	G00144	1
A		Alu. Mid Back Shell Leather	G00145	1
A		Alu. Mid Back Shell Leather Armless	G00146	1
A		Alu. Mid Back Shell Mesh	G00147	1
A		Alu. Mid Back Shell Mesh Armless	G00148	1
A		Nylon Mid Back Shell Mesh	G00149	1
A		Nylon Mid Back Shell Mesh Armless	G00150	1
B		Aluminum Task Base	G00151	1
B		Nylon Task Base	G00152	1
C		Aluminum Task Cylinder	G00155	1
C		Nylon Task Cylinder	G00163	1
D		Aluminum Cylinder Cap	G00158	1
D		Nylon Cylinder Cap	G00159	1
E		Aluminum Casters	G00161	5
E		Nylon Casters	G00162	5

Warning

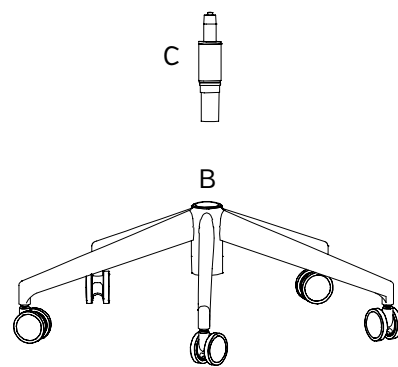
1. Product is for single person use only.
2. Dispose of packing material properly. Do not use plastic cover as a head covering. Suffocation may result.
3. Do not use this chair as a stepladder.

For assistance, call [888] 471-1616, or www.youtube.com/user/ideskinc1

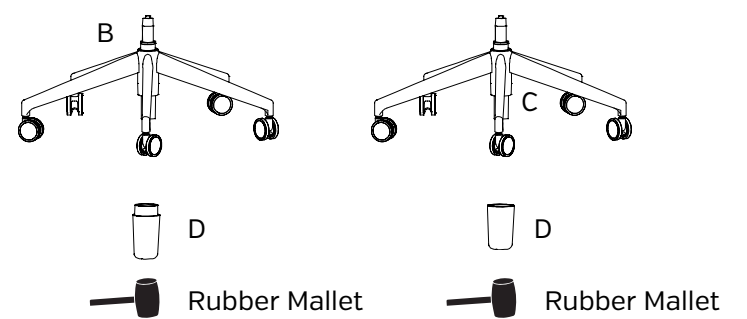
1 Assemble E onto B



2 Assemble C onto B



3 Assemble D onto B for Aluminum Model by tapping the cap with a rubber mallet Assemble D onto C for Nylon Model



4 Assemble A onto B

